



Цифровые рентгенодиагностические системы DRGEM серии GXR-SD

Технические характеристики

- | | | | | |
|------------------------------------|-----------------------------------|--|---------------------------------------|---------------------------------|
| Алматы (7273)495-231 | Иваново (4932)77-34-06 | Магнитогорск (3519)55-03-13 | Ростов-на-Дону (863)308-18-15 | Тольятти (8482)63-91-07 |
| Ангарск (3955)60-70-56 | Ижевск (3412)26-03-58 | Москва (495)268-04-70 | Рязань (4912)46-61-64 | Томск (3822)98-41-53 |
| Архангельск (8182)63-90-72 | Иркутск (395)279-98-46 | Мурманск (8152)59-64-93 | Самара (846)206-03-16 | Тула (4872)74-02-29 |
| Астрахань (8512)99-46-04 | Казань (843)206-01-48 | Набережные Челны (8552)20-53-41 | Саранск (8342)22-96-24 | Тюмень (3452)66-21-18 |
| Барнаул (3852)73-04-60 | Калининград (4012)72-03-81 | Нижний Новгород (831)429-08-12 | Санкт-Петербург (812)309-46-40 | Ульяновск (8422)24-23-59 |
| Белгород (4722)40-23-64 | Калуга (4842)92-23-67 | Новокузнецк (3843)20-46-81 | Саратов (845)249-38-78 | Улан-Удэ (3012)59-97-51 |
| Благовещенск (4162)22-76-07 | Кемерово (3842)65-04-62 | Ноябрьск (3496)41-32-12 | Севастополь (8692)22-31-93 | Уфа (347)229-48-12 |
| Брянск (4832)59-03-52 | Киров (8332)68-02-04 | Новосибирск (383)227-86-73 | Симферополь (3652)67-13-56 | Хабаровск (4212)92-98-04 |
| Владивосток (423)249-28-31 | Коломна (4966)23-41-49 | Омск (3812)21-46-40 | Смоленск (4812)29-41-54 | Чебоксары (8352)28-53-07 |
| Владикавказ (8672)28-90-48 | Кострома (4942)77-07-48 | Орел (4862)44-53-42 | Сочи (862)225-72-31 | Челябинск (351)202-03-61 |
| Владимир (4922)49-43-18 | Краснодар (861)203-40-90 | Оренбург (3532)37-68-04 | Ставрополь (8652)20-65-13 | Череповец (8202)49-02-64 |
| Волгоград (844)278-03-48 | Красноярск (391)204-63-61 | Пенза (8412)22-31-16 | Сыктывкар (8212)25-95-17 | Чита (3022)38-34-83 |
| Вологда (8172)26-41-59 | Курск (4712)77-13-04 | Петрозаводск (8142)55-98-37 | Тамбов (4752)50-40-97 | Якутск (4112)23-90-97 |
| Воронеж (473)204-51-73 | Курган (3522)50-90-47 | Псков (8112)59-10-37 | Сургут (3462)77-98-35 | Ярославль (4852)69-52-93 |
| Екатеринбург (343)384-55-89 | Липецк (4742)52-20-81 | Пермь (342)205-81-47 | Тверь (4822)63-31-35 | |
| Россия (495)268-04-70 | Казахстан (772)734-952-31 | Киргизия (996)312-96-26-47 | | |

GXR-SD DIGITAL RADIOGRAPHY SYSTEM

High Performance and Reliability

The Optimal System for Digital Solution

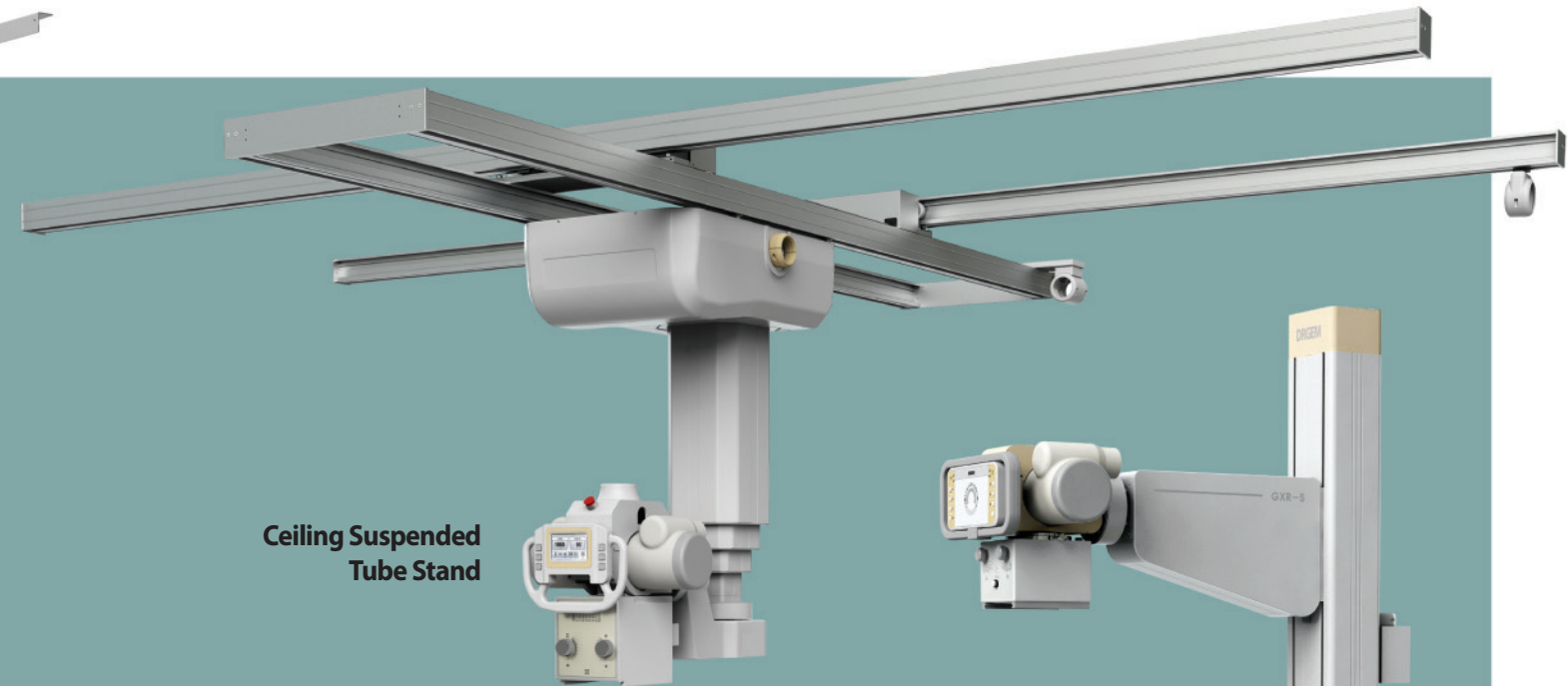
The GXR-SD Series is a diagnostic digital radiography system providing reliable high quality digital radiographic images with reduced dose. The GXR-SD DR systems provides comprehensive digital solutions to all radiography needs, featuring ACQUIDR digital imaging system with stationary or portable digital flat-panel detectors, reliable high-frequency x-ray generator which has worldwide reputation on excellent performance, lifetime and stability. Also user-friendly designed various tube stands, patient table and wall stand are offered for user's choice. The GXR-SD Series DR system will improve your workflow, exam throughput and efficiency with excellent performance.



Vertical Wall Bucky Stand



Floor-Ceiling Mounted Tube Stand



Ceiling Suspended Tube Stand



Floor Mounted Tube Stand



Floating Tabletop Table



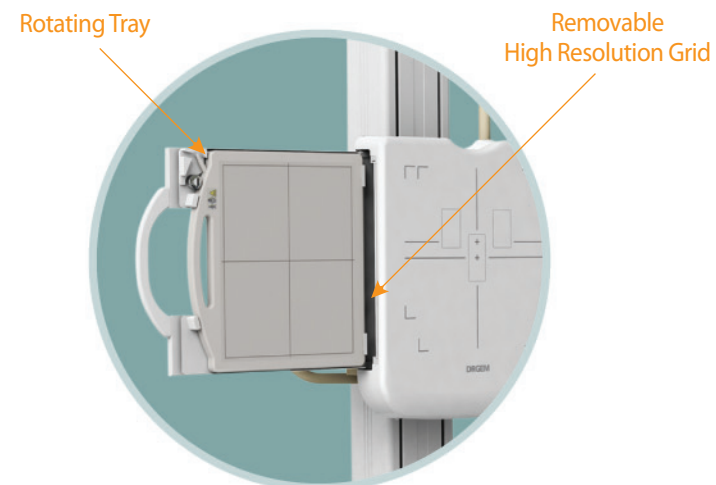
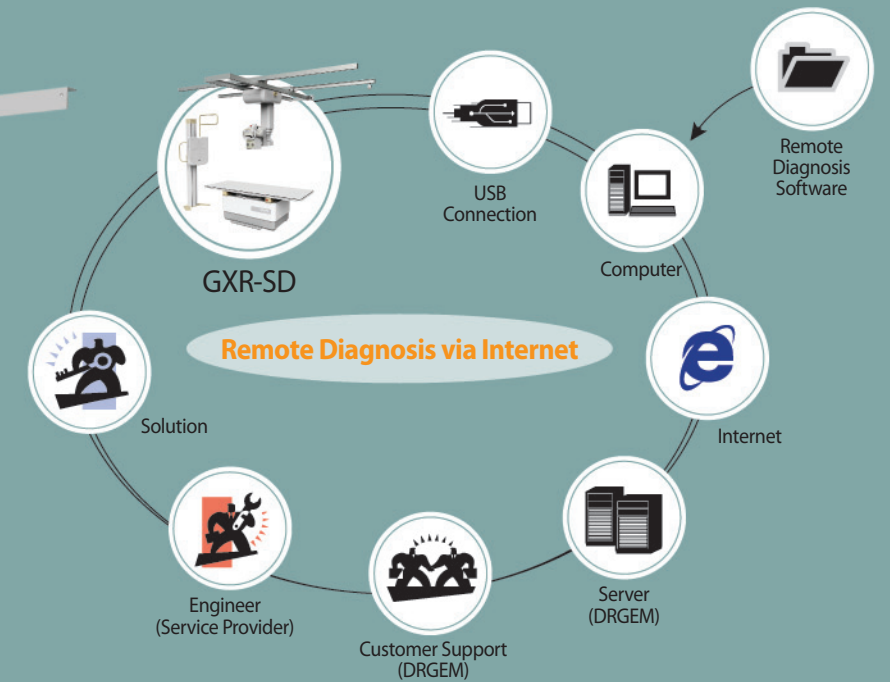
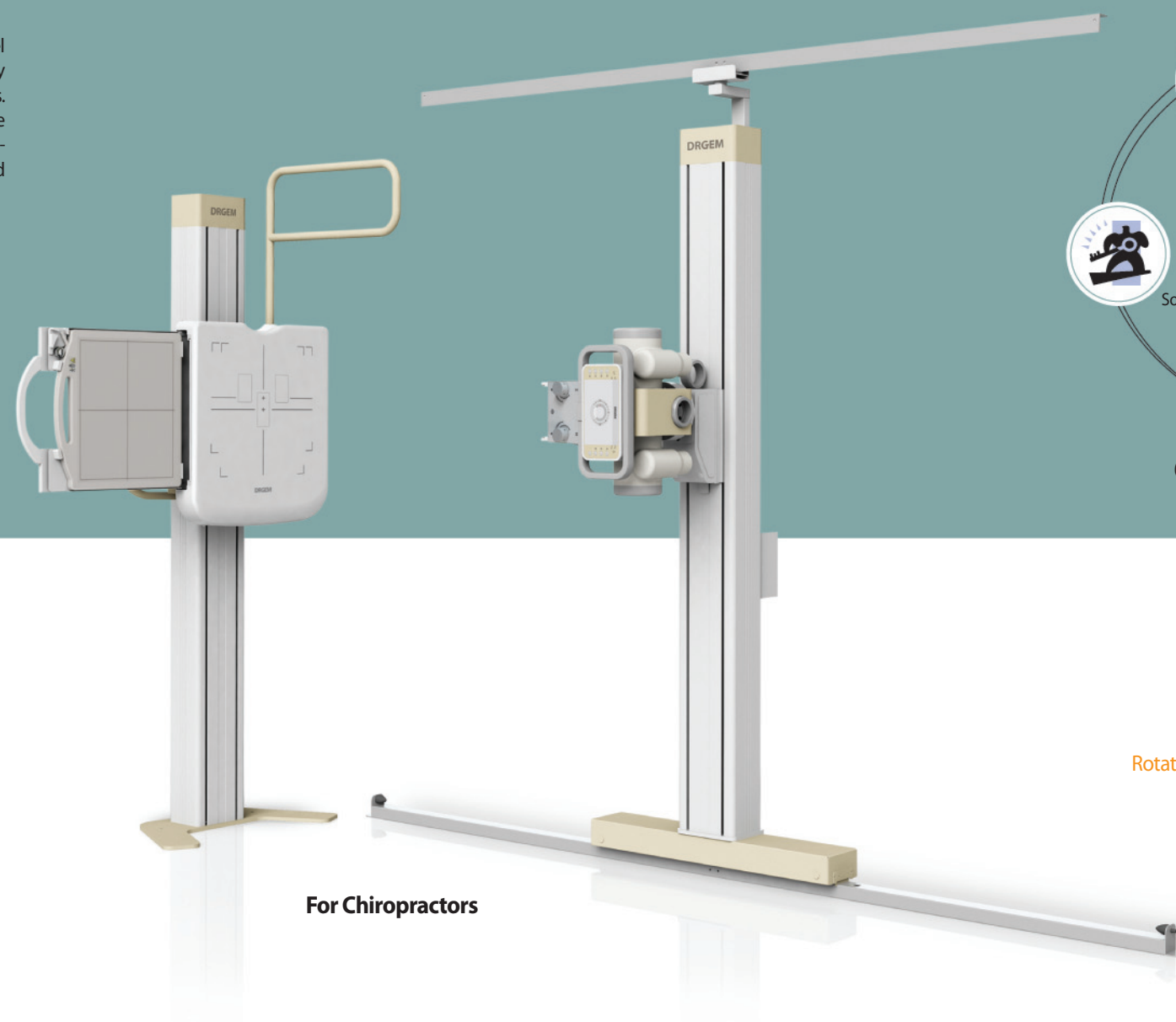
Elevating Table

GXR-SD DIGITAL RADIOGRAPHY SYSTEM

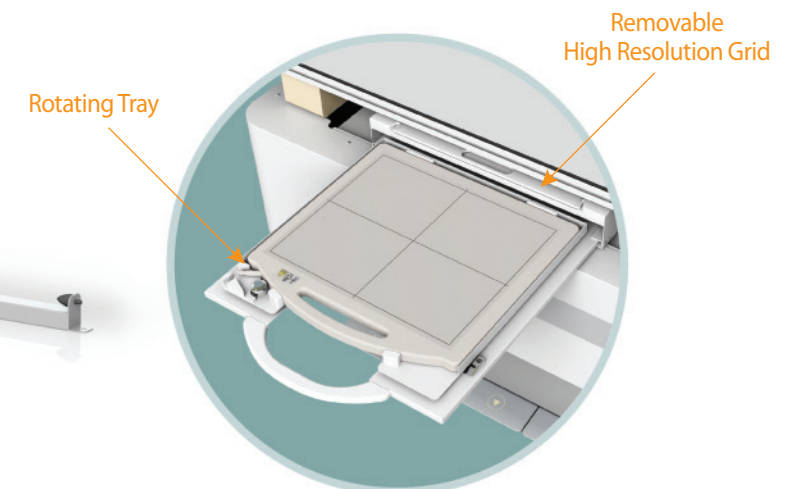
High Performance and Reliability

ACQUIDR

ACQUIDR is the digital imaging system included in GXR-SD composed of a digital flat-panel detector and an imaging workstation with software. ACQUIDR provides outstanding quality diagnostic digital images with convenient interface and designed to suit a variety of x-ray rooms. The digital flat-panel detector and fully featured imaging software with excellent digital image processing meets most of needs in diagnostic digital radiographic field. Selection of an anatomical study on the imaging software automatically sets up the x-ray generator's preprogrammed exposure technique setting and post image processing for the selected study.



Rotating tray with 4336R for the Vertical Wall Bucky Stand



Rotating tray with 4336R for the Patient Table

Floating Tabletop Table

Model		PBT-4	
Movement	Tabletop	Longitudinal	1,000(±500)mm
		Transverse(Lateral)	250(±125)mm
	Detector	Longitudinal	350mm
Tabletop		Inherent Filtration	Less than 1.2mmAl at 100kV
		Max. Patient Weight	300kg (660lbs)
		Size	2,200(W) x 750(D) x 70(H) mm
Bucky Type		Moving	Stationary
Grid		FD 34~44inch, 103 lpi, ratio 10:1	FD 100cm, 200lpi, ratio 10:1 Optional removable grid
Lock(Brake)	EM Lock, Beam sensor on/off		
Center indication	Buzzer sound at transverse center		
Electrical Rating	100~240VAC, 200VA, 50/60Hz		
Dimension	2,200(W) x 750(D) x 660 or 720(H) mm		
Weight	150kg(330lbs)		

* Rotating tray for 4336R portable DR detector with enclosure.

Elevating Table

Model		PBT-6	
Movement	Tabletop	Longitudinal	1,000(±500)mm
		Transverse(Lateral)	250(±125)mm
	Vertical	Travel	300(550~850)mm,
		Speed	21mm/sec
	Operating	Motorized movement by Foot Switch DC-motor (Linear Actuator)	
	Detector	Longitudinal	350mm
Tabletop		Inherent Filtration	Less than 1.2mmAl at 100kV
		Max. Patient Weight	300kg(660lbs)
		Size	2,200(W) x 810(D) x 45(H) mm
Bucky Type		Moving	Stationary
Grid		FD 34~44inch, 103 lpi, ratio 10:1	FD 100cm, 200lpi, ratio 10:1 Optional removable grid
Lock(Brake)	EM Lock, Foot switch on/off		
Center indication	Buzzer sound at transverse center, Auto stop at vertical center		
Side cover	2-story telescopic		
Electrical Rating	100~240VAC, 400VA, 50/60Hz		
Dimension	Max. 2200(W) x 810(D) x 850(H) mm		
Weight	260kg(573lbs)		

* Rotating tray for 4336R portable DR detector with enclosure.

Vertical Wall Bucky Stand

Model		WBS	
Detector Movement		Vertical 1,390mm (420~1,810mm from floor to Bucky center)	Optional extended stroke
Bucky Type		Moving	Stationary
Grid		FD 40~72inch, 103 lpi, ratio 10:1	FD 150cm, 200lpi, ratio 10:1 Optional removable grid
Lock(Brake)	EM Lock, Switch on/off		
Balance	Counter Weight		
Electrical Rating	24VDC, 1A		
Dimension	Max. 1,920(H) x 740(W) x 410(D) mm		
Weight	120kg(264lbs)		

* Rotating tray for 4336R portable DR detector with enclosure.

Floor-Ceiling Mounted Tube Stand

Model		TS-FC6	
Tube Rotation Angle	±180°(Display: ±135°)		
Tube stroke	Longitudinal	Max. 2,500mm Optional extended stroke	
	Transverse(Lateral)	220mm (Center detent)	
	Vertical	1,330mm (430~1,760mm from floor to focus) Optional extended stroke	
Lock(Brake)	EM Lock, Switch on/off		
Balance	Counter Weight		
Column Rotation	90° step, Electric or Foot push switch		
Electrical Rating	24VDC, 3A		
Dimension	2,060(H) x 1,140(D) mm		
Weight	180kg(397lbs)		

Floor Mounted Tube Stand

Model		TS-FM6	
Tube Rotation Angle	±180°(Display: ±135°)		
Tube stroke	Longitudinal	Max. 2,100mm Optional extended stroke	
	Transverse(Lateral)	220mm (Center detent)	
	Vertical	1,330mm (430~1,760mm from floor to focus) Optional extended stroke	
Lock(Brake)	EM Lock, Switch on/off		
Balance	Counter Weight		
Column Rotation	90° step, Electric or Foot push switch		
Electrical Rating	24VDC, 3A		
Dimension	2,060(H) x 1,140(D) mm		
Weight	240kg(529lbs)		

Ceiling Suspended Tube Stand

Model		TS-CSA	
Tube Rotation Angle	Horizontal axis	±180° (LCD display)	
	Vertical axis	-150 ~ +180° (mechanical detents at every 90°)	
Tube stroke	Longitudinal	3,300mm	
	Lateral	2,150mm	
	Vertical	1,500mm	
Operation	Motorized and / or Manual, Touch screen LCD		
SID Indication	LCD display		
Lock(Brake)	EM Lock, Switch on/off		
Balance	Spring		
Electrical Rating	100~240VAC, 500VA, 50/60Hz		
Weight	190kg(419lbs)		

* Optional vertical tube synchronization with WBS and PBT-6

Digital Flat Panel Detector

Model		4336R	4343R
imaging Area / Pixel Matrix		14 x 17 inch(2,560 x 3,072)	17 x 17 inch(3,072 x 3,072)
Manufacturer	Varian		
Pixe Pitch / Resolution	139um (3.6 lp/mm)		
Screen	Csl or DRZ+		
A/D Conversion	14-bits		
Interface	Gigabit Ethernet		

System

System Model	GXR-32SD	GXR-40SD	GXR-52SD	GXR-68SD	GXR-82SD
Generator Model	GXR-32	GXR-40	GXR-52	GXR-68	GXR-82
Output Rating	32kW	40kW	52kW	68kW	82kW
Line Nominal, Phase	220/230VAC, 1Φ, ±10% 380/400/480VAC, 3Φ, ±10%		380/400/480VAC, 3Φ, ±10%		
Line Frequency	50*/60Hz, * : Outside North America				
kV Range	40~125kV, 1kV step		40~150kV, 1kV step		
mA Range	10 to 400mA	10 to 500mA	10 to 640mA	10 to 800mA	10 to 1,000mA
Timer Range	0.001 to 10 sec, 38 steps				
mAs Range	0.1 to 500mAs (Optional higher mAs)				
Rotor Supply	Low Speed (Optional DC Brake)		Dual Speed including Dynamic Brake		
Max. Power Output	400mA@50kV 320mA@100kV 250mA@125kV	500mA@80kV 400mA@100kV 320mA@125kV	640mA@81kV 500mA@104kV 400mA@130kV 320mA@150kV	800mA@85kV 640mA@106kV 500mA@136kV 400mA@150kV	1,000mA@82kV 800mA@102kV 640mA@128kV 500mA@150kV
Reproducibility	Coefficient of Variation : kV < 0.005, Time < 0.005, mAs < 0.01				
Accuracy	kV < ±(1%+1kV), mA < ±(3%+1mA), Time < ±(1%+0.5ms), mAs < ±(3%+0.1mAs)				
Linearity	Coefficient of Linearity < 0.01 : CL = (X1-X2)/(X1+X2), where X is mR/mAs				

X-ray Tube Assembly

System Model	GXR-32SD / GXR-40SD		GXR-52SD / GXR-68SD		GXR-82SD	
Tube Model	E7239X	E7242X	E7252X	RAD-14	E7255X	RAD-21
Manufacturer	Toshiba		Toshiba	Varian	Toshiba	Varian
Focal Spot Size	1.0/2.0mm	0.6/1.5mm	0.6/1.2mm	0.6/1.2mm	0.6/1.2mm	0.6/1.2mm
Rating(0.1s)	22.5/47kW	18/50kW	27/75kW	32/77kW	40/102kW	36/100kW
Max. Anode HU	140kHU	200kHU	300kHU	300kHU	300kHU	300kHU
Max. kV	125kV	125kV	150kV	150kV	150kV	150kV

Collimator

Control	Manual or Motorized
Field Shape	Rectangular
Max. Field Size	More than 43x43cm(17x17inch) at 100cm SID
Leakage Radiation	Less than 100mR/hr
Max. kVp shield	150kV
Luminosity	Over 160LUX at 100cm SID
Option	Tape measure
Electrical Rating	24VAC, 6.3A, 50/60Hz

Imaging Workstation

CPU	Intel(R) Core i3-530 (2.93GHz, 1333MHz FSB, 4MB L2 Cache)
Memory	2GB DDR3 1333MHz SDRAM
Display	NVIDIA Quadro FX380
Storage	500GB x 2, 7200RPM SATA HDD
Monitor	23 inch Color LCD (LED Backlight, Antiglare) Display resolution: 1920 x 1080 pixels

Options

- AEC with ion-chamber
- DAP (Dose Area Product)
- Vertical tube synchronization
- Full-Spine Imaging
- Table Bucky auto tracking with tube stand(FC or FM)
- Removable grid
- Patient hand grips (Tabletop, Overhead)

Алматы (7273)495-231
Ангарск (3955)60-70-56
Архангельск (8182)63-90-72
Астрахань (8512)99-46-04
Барнаул (3852)73-04-60
Белгород (4722)40-23-64
Благовещенск (4162)22-76-07
Брянск (4832)59-03-52
Владивосток (423)249-28-31
Владикавказ (8672)28-90-48
Владимир (4922)49-43-18
Волгоград (844)278-03-48
Вологда (8172)26-41-59
Воронеж (473)204-51-73
Екатеринбург (343)384-55-89

Иваново (4932)77-34-06
Ижевск (3412)26-03-58
Иркутск (395)279-98-46
Казань (843)206-01-48
Калининград (4012)72-03-81
Калуга (4842)92-23-67
Кемерово (3842)65-04-62
Киров (8332)68-02-04
Коломна (4966)23-41-49
Кострома (4942)77-07-48
Краснодар (861)203-40-90
Красноярск (391)204-63-61
Курск (4712)77-13-04
Курган (3522)50-90-47
Липецк (4742)52-20-81

Магнитогорск (3519)55-03-13
Москва (495)268-04-70
Мурманск (8152)59-64-93
Набережные Челны (8552)20-53-41
Нижний Новгород (831)429-08-12
Новокузнецк (3843)20-46-81
Ноябрьск (3496)41-32-12
Новосибирск (383)227-86-73
Омск (3812)21-46-40
Орел (4862)44-53-42
Оренбург (3532)37-68-04
Пенза (8412)22-31-16
Петрозаводск (8142)55-98-37
Псков (8112)59-10-37
Пермь (342)205-81-47

Ростов-на-Дону (863)308-18-15
Рязань (4912)46-61-64
Самара (846)206-03-16
Саранск (8342)22-96-24
Санкт-Петербург (812)309-46-40
Саратов (845)249-38-78
Севастополь (8692)22-31-93
Симферополь (3652)67-13-56
Смоленск (4812)29-41-54
Сочи (862)225-72-31
Ставрополь (8652)20-65-13
Сыктывкар (8212)25-95-17
Тамбов (4752)50-40-97
Тургут (3462)77-98-35
Тверь (4822)63-31-35

Тольятти (8482)63-91-07
Томск (3822)98-41-53
Тула (4872)74-02-29
Тюмень (3452)66-21-18
Ульяновск (8422)24-23-59
Улан-Удэ (3012)59-97-51
Уфа (347)229-48-12
Хабаровск (4212)92-98-04
Чебоксары (8352)28-53-07
Челябинск (351)2021-03-61
Череповец (8202)49-02-64
Чита (3022)38-34-83
Якутск (4112)23-90-97
Ярославль (4852)69-52-93

Россия (495)268-04-70

Казахстан (772)734-952-31

Киргизия (996)312-96-26-47